

**GENERAL PUMP** *A member of the Interpump Group***CW2040****Car Wash Series - Triplex Plunger Pump****FEATURES**

- The preferred pump frame in the car wash self-service industry
- Dual crankshaft for convenience
- Forged brass manifold
- Large capacity, die-cast, anodized aluminum oil-bath crankcase
- Over-sized connecting rods for maximum life
- Heavy-duty tapered roller bearing
- Solid ceramic plungers with continuously lubricated packings
- Unitized stainless steel inlet and discharge valves

**SPECIFICATIONS**

Pump Model	CW2040		
Maximum Volume	5.0 GPM	4.0 GPM	3.0 GPM
Maximum Discharge Pressure	1500 PSI	2000 PSI	2500 PSI
Maximum Pump Speed	1250 RPM	1000 RPM	750 RPM
Maximum Inlet Pressure	125 PSI		
Bore	.787 in. / 20 mm		
Stroke	.630 in. / 16 mm		
Crankcase Oil Capacity	33.8 oz.		
Maximum Fluid Temperature	165° F		
Inlet Port Thread	1/2-14 BSP-F		
Discharge Port Thread	3/8-19 BSP-F		
Shaft Diameter	.945 in. / 24 mm Dual Shaft		
Weight	30 lbs.		
Dimensions	11.4" x 10.8" x 6.9" (no rails) 11.4" x 10.8" x 7.9" (rails)		



General Pump  
is a member of  
the Interpump Group



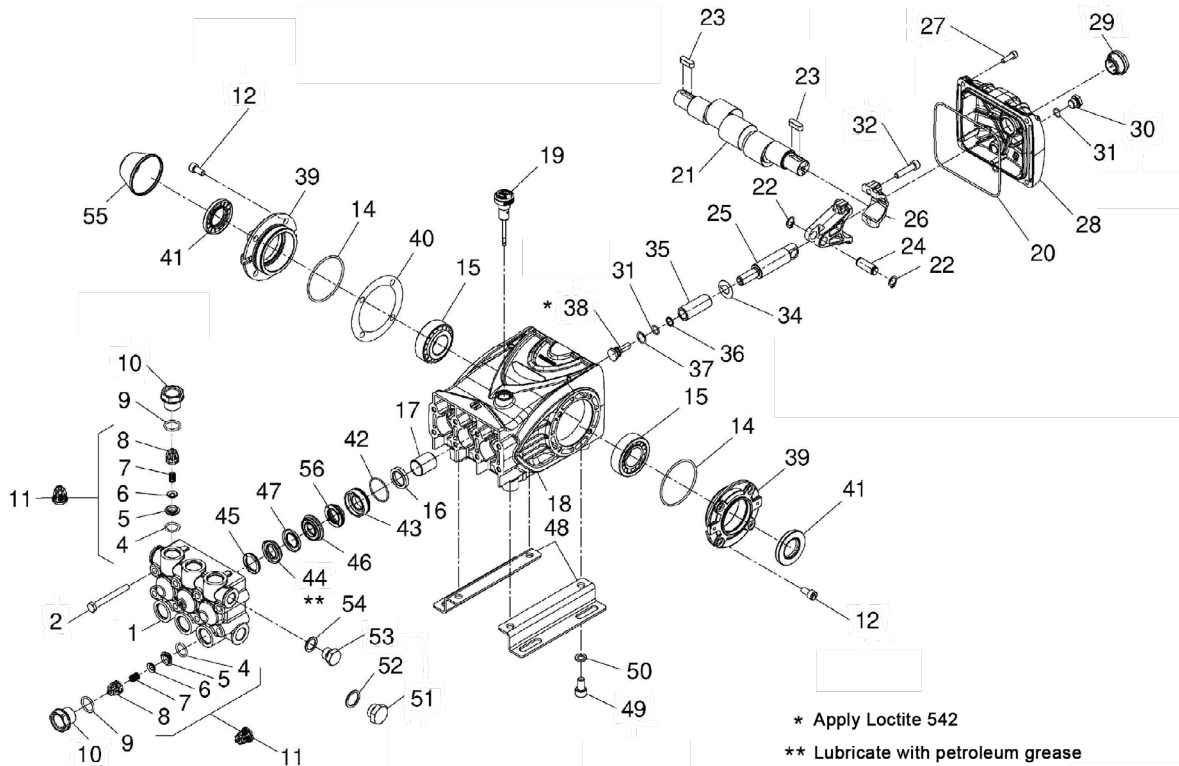
Ref 300026 Rev. J  
01-24



# CW2040 - Triplex

**GENERAL PUMP**

A member of the Interpump Group



## PART LIST

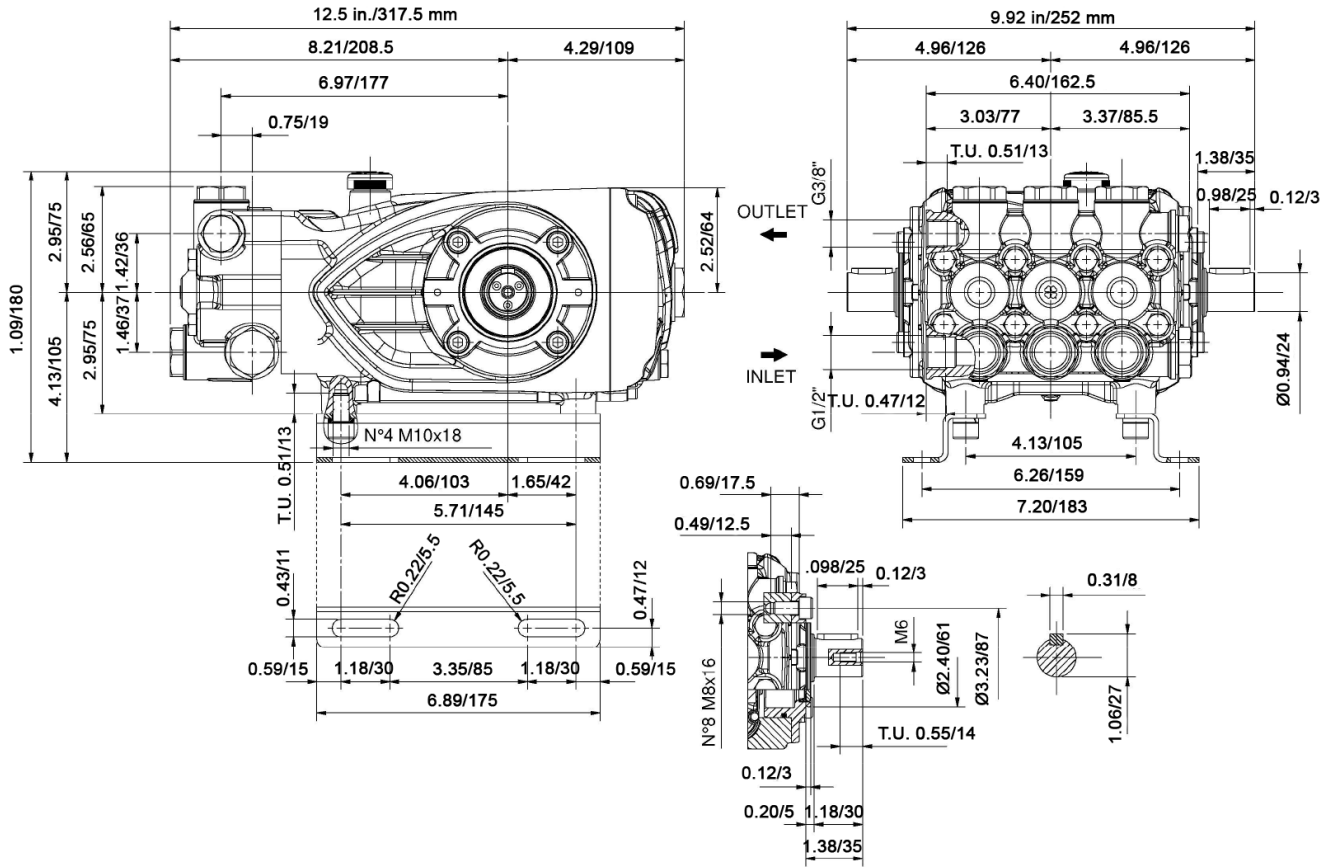
No.	Part No.	Description	Qty.	No.	Part No.	Description	Qty.	No.	Part No.	Description	Qty.
1.	47120841	Manifold	1	21.	47020035	Crankshaft	1	40.	97567800	Shim	2
2.	99320600	Screw, M8 x 70	8	22.	90055700	Ring, Snap	6	41.	90164800	Seal, Oil	1
4.	90384100	O-ring, Ø17.13 x 2.62	8	23.	91487700	Key		42.	90361600	O-ring, Ø34.65 x 1.78	3
5.	36200366	Seat, Valve	6	24.	97738000	Pin, Wrist	3	43.	47080570	Retainer, packing	3
6.	36200176	Plate, Valve	6	25.	47050466	Guide, Plunger	3	44.	90270500	Packing	3
7.	94737600	Spring	6	26.	47030001	Connecting Rod	3	45.	47100051	Ring, Head, M20	3
8.	36200251	Guide, Valve	6	27.	99188400	Screw, M6x20	5	46.	47216970	Intermed. Ring	3
9.	90384700	O-ring, Ø20.29 x 2.62	6	28.	47160622	Cover, Crankcase	1	47.	90270400	Restop Ring	3
10.	98222000	Cap	6	29.	47221301	Oil Indicator	1	48.	47200074	Pump Feet	2
11.	36703201	Valve Assembly	6	30.	98204250	Plug	1	49.	99364400	Screw, M10 x 18	4
12.	99303900	Screw, M8 x 16	8	31.	90358500	O-ring, 10.82 x 1.78	4	50.	96710600	Washer, M10.2	4
14.	90391300	O-ring, Ø67.95 x 2.62	2	32.	99309900	Screw, M8 x 35	6	51.	98217600	Cap	1
15.	640047	Bearing, Roller	2	34.	96728600	Washer, M14	3	52.	96751400	Washer, M21.5	1
16.	90162500	Seal, Oil, Ø22 x 32 x 2.5	3	35.	47040409	Plunger, 20 mm	3	53.	98210000	Cap	1
17.	90912600	Bushing, Ø22 x 25 x 30	3	36.	90506700	Ring, Back-up	3	54.	96738000	Washer, M17.5	1
18.	47010822	Crankcase	1	37.	96728000	Washer	3	55.	47212451	Shaft Cover	1
19.	98210600	Oil Dip Stick	1	38.	47219566	Screw, Plunger	3	56.	90271000	Seal, Low Press, 20 mm	3
20.	90392200	O-ring, Cover	1	39.	47151022	Cover, Crankcase	13				

# CW2040 - Triplex

**GENERAL PUMP**

A member of the Interpump Group

## DIMENSIONS (Inches)



## REPAIR KITS

KIT NO.	K01	K02	K03	K04	K06	K07	K71	K969	K9101A	K910A
ITEM NO's INCLUDED IN KIT	11	16	41	9, 10	31, 34, 36 37, 38	45	46, 47	44, 47, 56	42, 43, 44, 45, 46, 47, 56	42, 43, 56
NUMBER OF ASSEMBLIES IN KIT	6	3	2	6	3	6	3	3	1	3
NUMBER OF CYLINDERS KIT WILL SERVICE	6	3	-	3	3	3	3	3	1	3

## TORQUE SPECS\*

Pos.	Ft/lb	N-M
2	22.1	30
10	96	130
12	14.7	20
27	7.3	10
29	8.8	12
30	14.7	20
32	14.7	20
38	14.7	20
49	29.4	40
51	29.4	40
51	29.4	40

\* Decrease torque by 20% if threads are lubricated

**WARNING: High Pressure Systems require a primary pressure regulating device (i.e. regulator, unloader) and a secondary pressure relief device (i.e. pop-off valve, relief valve). Failure to install such relief devices properly could result in personal injury or damage to pump or property. GP does not assume any liability or responsibility for the operation of the user's high pressure system.**



WARNING: This product can expose you to chemicals including lead, which is known to the state of California to cause cancer and birth defects or other reproductive harm. For more information, go to [www.P65Warnings.ca.gov](http://www.P65Warnings.ca.gov)

